



## TECHNICAL DATA

Fluid connections	<b>1/4" BSP</b>
Air connection	<b>4 mm</b>
Max. flow rate	<b>7 lt/min</b>
Max air pressure	<b>6 bar</b>
Max delivery head	<b>60 m</b>
Max suction lift dry	<b>3 m</b>
Max suction lift wet	<b>9,8 m</b>
Max solid passing	<b>2 mm</b>
Noise level	<b>62 dB</b>
Max viscosity	<b>5.000 cps</b>
Displacement per stroke	<b>18 CC ~</b>

**PVDF + CF**



II 3/3 G Ex h IIC T4 Gb

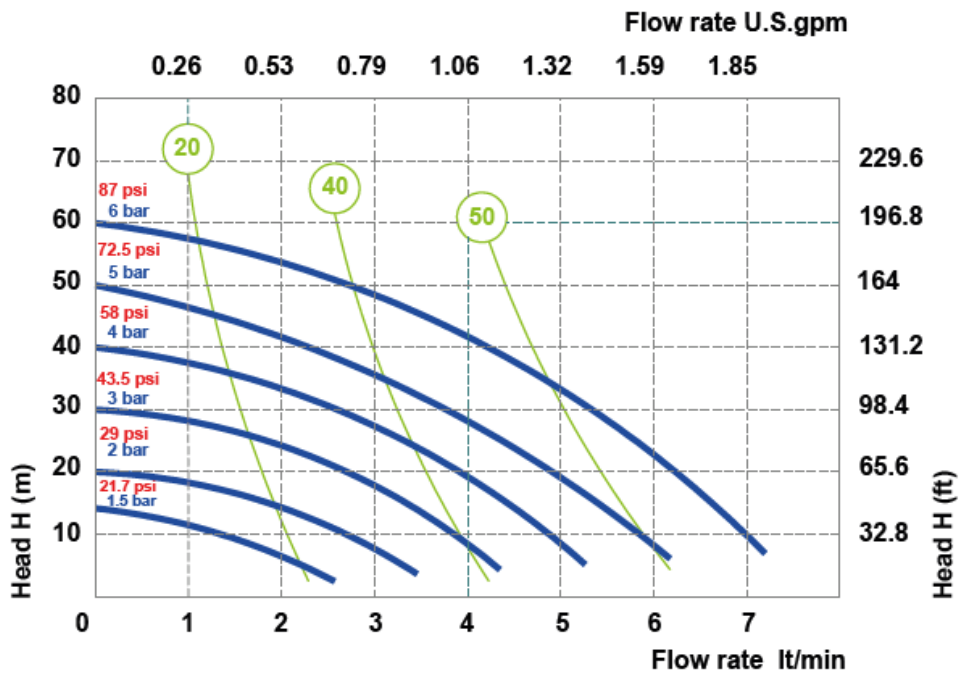
II 3 D Ex H IIIB T135°C Db X

Displacement per stroke may vary based on suction condition, discharge head, air pressure and fluid type.

WEIGHT	TEMPERATURE	
<b>0,96 KG</b>	<b>-20°C</b>	<b>+95°C</b>

## PERFORMANCE

The curves and performance values refer to pumps with submerged suction and free delivery outlet, with water at 20 °C. These data may vary according to the construction materials and hydraulic conditions.



Air supply pressure

Air consumption Nit/min

Made in Italy

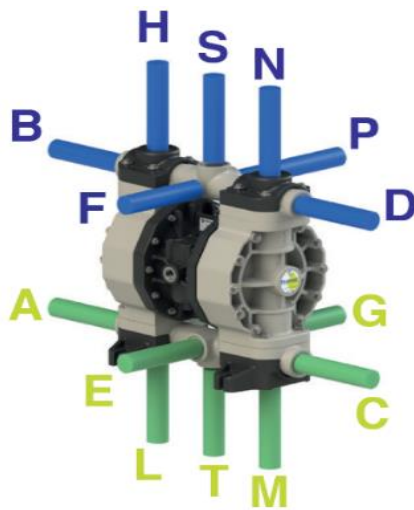


FLUIMAC S.r.l. - Via Breascia, 1 - 21049 - Tradate - VA - ITALY  
 info@fluimac.com - www.fluimac.com  
 tel. +39 0331 866688 - Fax +39 0331 864870  
 P.I./VAT 03259160129



## COMPOSITION

MODEL	CASING	DIAPHRAGM	BALLS	SEATS	GASKET	CONNECTIONS	ATEX	PORTS
P0007	KC = PVDF+CF	NT = NBR+PTFE	T = PTFE S = SS	K = PVDF	D = EPDM V = VITON N = NBR T = PTFE	I = BSP 5 = NPT	-- ZONE 2	AB = STANDARD



## AVAILABLE CONNECTIONS

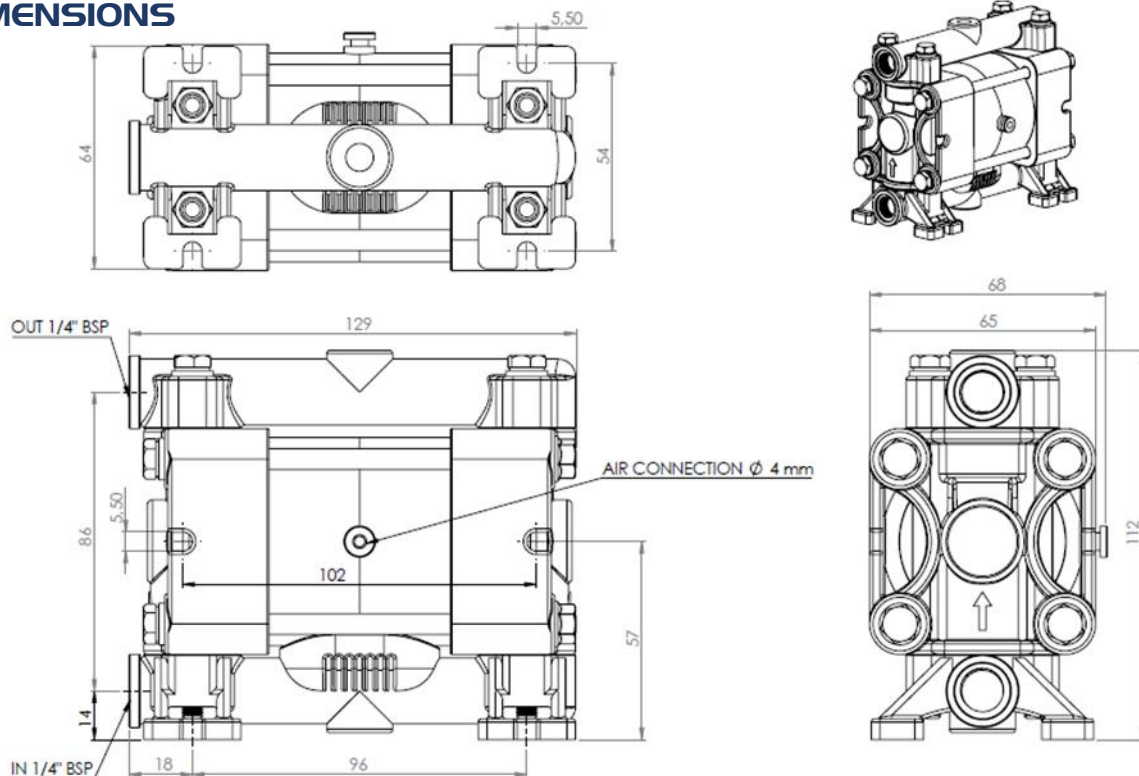
**DELIVERY: B-D-S**

**SUCTION: A-C-T**

## PACKING DIMENSION

CARTON BOX: 17 x 21 x 11 cm

## DIMENSIONS



Technical data are approximate and not binding for the manufacturer who reserves the right to change them without notice at any time.