

Seko SpA déclare que le code de la pompe PPR0018A1000_A a les caractéristiques suivantes :

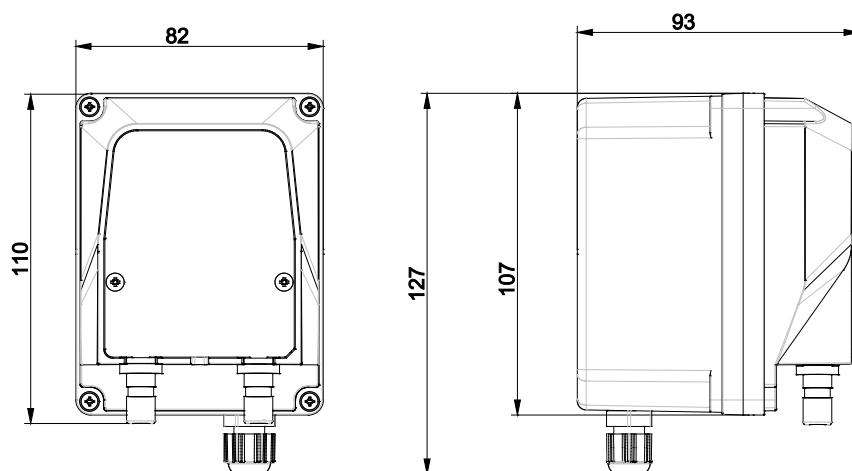


CERTIFICATION	CE, EAC
TYPE	PPR
ALIMENTATION	230 Vac +/-10% @ 50/60 Hz
CONSOMMATION	7 W
MATERIAU TUBE MEMBRANE	SANTOPRENE (6x10)
CC/REVOLUTION	2,5
MATERIAU GALETS	POM (Polyoxymethylene)
DEBIT	Adjustable 3 - 14 l/h max
MOTEUR	24 VDC – 90 rpm
CONTRE-PRESSION	0,1 BAR
MPA	0,01
PSI	1,450
GPD	114,12 max
GPH	4,75 max
DEGRE PROTECTION	IP 65
TEMPERATURE UTILISATION	5-50°C
TEMPERATURE STOCKAGE	-20÷60°C

KIT D' INSTALLATION

ETRIER FIXATION	Fxation murale
Tube	8x12 PVC (Couronne 4 m)
Aspiration/refoulement	

DIMENSION



SEKO spa has taken all reasonable measures about the accuracy of this translation, but regrets that no responsibility can be accepted for any error, omission or inaccuracy. In case of doubt or dispute, as provided by the European Directive, only the original language text is valid.



**ETRIER DE FIXATION MURAL
DESSINS DIMENSIONNELS**

